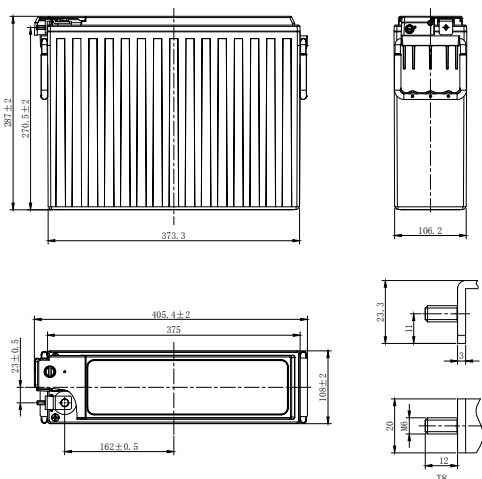


PLX-PURE LEAD HIGH RATE

PLX12-400FT(A) (12V400W)



CHARACTERISTICS

Item	Specifications	
Rated Voltage	12V	
Nominal Rate (25°C)	$W_{15}, 1.67V/cell$	400W/cell
Nominal Capacity (25°C)	$C_{10}, 1.80V/cell$	100Ah
Dimension	Length	405.4mm (16.0inches)
	Width	108mm (4.25inches)
	Container Height	287mm (11.3inches)
	Total Height	287mm (11.3inches)
Approx Weight	31.5kg (69.4lbs)	
Terminal	T8(M6)	
Container Material	PC-ABS (UL94 V-0)	
Short-circuit current	2200A	
Internal Resistance (25°C)	Approx 4.4 mΩ (Fully charged)	
Operating Temp. Range	Discharge	-40~65°C (-40~149°F)
	Charge	-20~54°C (-4~129°F)
	Storage	-20~50°C (-4~122°F)
Nominal Operating Temp. Range	25±3°C (77±5°F)	
Max.Charging Current (25°C)	0.3C	
Charge voltage (25°C)	Standby Use	Equalization Use
	2.27±0.02V/cell	2.35-2.40V/cell
Temp. Coefficient	-3mV/cell/°C	-4mV/cell/°C
	40°C (104°F)	103%
Effect of temp. to Capacity	25°C (77°F)	100%
	0°C (32°F)	86%
	Self Discharge	PLX series batteries can be stored up to 24 months at 25°C(77°F), For higher temperatures the timeinterval will be shorter.Battery needs to be given a freshening charge when the OCV approach 2.10V/cell or when the maximum storage time is reached, whichever occurs first.

DISCHARGE TABLE

Constant Current Discharge (Amperes) at 25°C (77°F)															
F.V/Time	5min	10min	15min	20min	30min	45min	1h	1.5h	2h	3h	4h	5h	8h	10h	20h
1.85V/cell	303.6	228.6	184.3	153.9	113.6	80.3	66.4	47.5	38.0	26.2	22.3	18.3	12.0	9.81	5.12
1.80V/cell	329.6	242.8	193.4	159.9	118.4	83.9	69.7	49.7	39.7	27.4	23.2	18.9	12.3	10.0	5.24
1.75V/cell	350.9	255.6	200.4	166.2	122.4	86.0	71.4	51.1	40.9	27.8	23.6	19.2	12.6	10.2	5.30
1.70V/cell	373.3	263.7	207.5	171.6	126.6	88.2	72.9	52.0	41.6	28.0	24.0	19.4	12.6	10.3	5.38
1.67V/cell	390.0	274.8	213.0	177.3	132.0	91.0	75.1	53.4	42.6	29.3	24.3	19.6	12.7	10.3	5.42
1.60V/cell	410.0	279.4	225.0	185.1	135.0	93.9	76.5	54.8	44.0	29.9	24.5	19.8	12.7	10.4	5.51
Constant Power Discharge (Watts/cell) at 25°C (77°F)															
F.V/Time	5min	10min	15min	20min	30min	45min	1h	1.5h	2h	3h	4h	5h	8h	10h	20h
1.85V/cell	569.0	438.9	357.7	299.5	222.7	158.6	131.7	94.4	75.8	52.8	45.4	37.3	24.3	20.1	10.5
1.80V/cell	611.0	461.2	372.9	309.2	230.6	164.9	137.4	98.4	78.9	55.3	47.0	38.4	24.6	20.3	10.7
1.75V/cell	642.4	480.1	382.6	318.4	236.4	167.7	140.0	100.5	80.8	56.0	47.9	38.8	24.9	20.4	10.7
1.70V/cell	667.2	491.6	392.2	325.7	242.5	170.9	142.1	102.0	81.9	57.6	48.4	39.3	25.4	20.4	10.9
1.67V/cell	670.0	501.2	405.0	333.0	245.0	176.8	145.8	104.4	83.7	58.8	49.3	39.8	25.5	20.5	11.0
1.60V/cell	710.0	506.1	410.0	343.9	250.0	179.3	147.2	106.0	85.4	59.6	50.0	40.3	25.5	20.5	11.2

PLX-PURE LEAD HIGH RATE

PLX12-400FT(A) (12V400W)



APPLICATIONS

- UPS
- Emergency lighting
- Emergency Power supply
- Electric starting
- Power tools

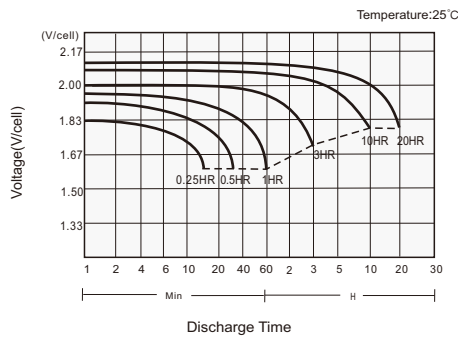
GENERAL FEATURES

- 15 years design life (25°C)
- Utilizes TPPL technology, thin positive grids and unique manufacturing process to maximize corrosion resistance and service life while increasing energy density
- Specifically designed for high-rate discharge applications
- Wide Wpc range of front and top terminal monoblocs
- UL 94 V-0 Case and cover heat sealed and 100% tested to prevent leaks

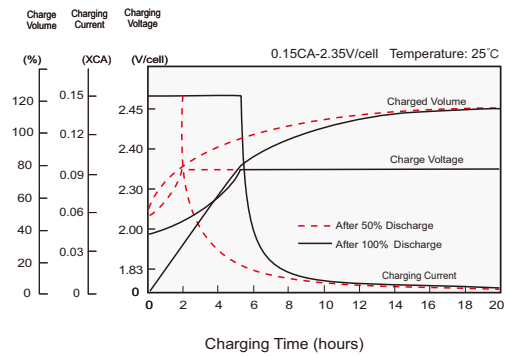
STANDARDS

- Compliance with IEC 60896 standards
- Classified as "Very Long Life" according to Eurobat
- CE,UL Approved
- Manufactured in Leoch@IATF 16949, ISO 45001,ISO 9001 and ISO 14001 certified production facilities

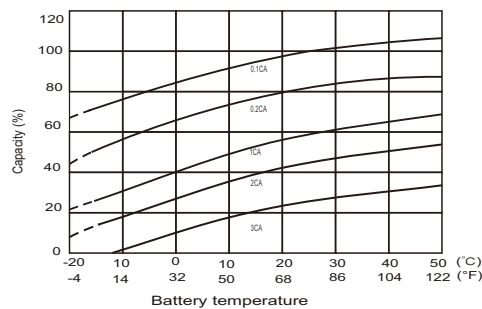
Discharge Characteristics



Charging Characteristics



Effects of Temperature on Capacity



Self Discharge Characteristics

